



CAMBURG TOYOTA TACOMA PRERUNNER/4WD '05-21 | 4-Runner '03-14 | FJ '07-14
 PERFORMANCE SPINDLE KIT
 PART# CAM-310114

Thanks for purchasing our performance spindles for your Toyota Tacoma/4-Runner/FJ. If you are not installing these yourself have a qualified shop do so. These spindles were designed to replace the OEM versions and work with parts associated with them. Check the parts list to make sure you have every component prior to installing. Camburg Engineering has made every attempt to insure you receive the highest quality components in the most complete manner. This is a guide to help you through the process with some recommended torque specs & notes. It's your responsibility to ensure parts are being installed correctly using the correct tools and procedures to the proper torque. For step-by-step instructions refer to a Toyota Service manual.

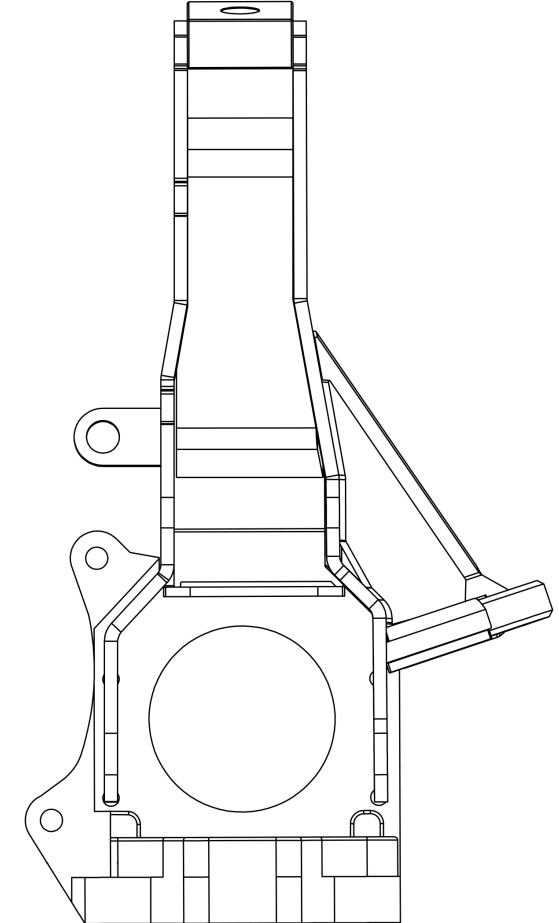
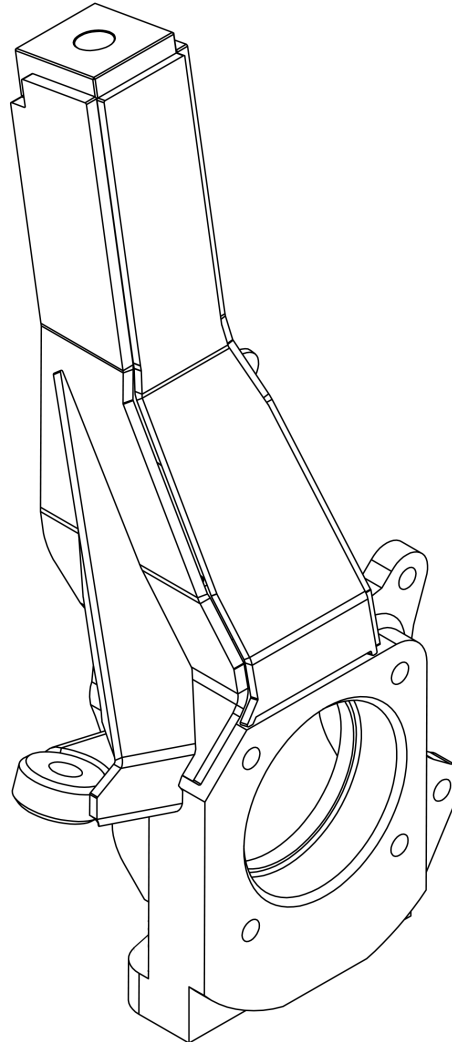
ID	PART NBR	DESCRIPTION	QTY
		DRIVER SIDE SPINDLE	1
		PASSENGER SIDE SPINDLE	1
	330027	STOCK LENGTH STAINLESS BRAIDED FRONT BRAKE LINE KIT	1
	950093	14" TY-28MX ZIP TIE (BLACK)	4
	030017	CAMBURG 8.5" STICKERS	4

Important Notes:

- Re-use the existing M16 bolts with the OEM lower ball-joint cradle or our long-travel uniball adapter. When using these with other kits, make sure your M16 bolts are not too short/long.
- The front sway-bar assembly will not be re-used.
- The front brake rotor dust shields will not be re-used.
- Maximum Wheel Backspacing = 5"
- When running larger tires we recommend a zero offset wheel for added clearance.
- Use RED loctite on all fasteners > 1/4" dia.
- Use BLUE loctite on all fasteners < 1/4" dia.
- On older or higher mileage 4wd vehicles we recommend replacing the inner hub seals.

Recommended Torque Specs:

- M16 Lower BJ Cradle or Uniball Adapter Bolts = 160 ft/lbs.
- Hub Unit Bolts = 60 ft/lbs.
- 4wd Axle Shaft Hub Nut = 175 ft/lbs.
- Brake Caliper Bolts = 92 ft/lbs.
- Outer Tie Rod Castle Nut = 68 ft/lbs.
- Ball-joint Upper Arm Castle Nut = 82 ft/lbs.
- Uniball Upper Arm Nut = 125 ft/lbs.



[10.19.21]

Due to the extreme and punishing nature of offroad use, Camburg Engineering products have no implied or expressed warranty. Camburg Engineering products and components are designed and manufactured for offroad use only. Installing most suspension products will raise the center of gravity of the vehicle and can increase the susceptibility to a rollover and alter the handling characteristics. Camburg Engineering products may void the vehicles warranty, check with your local dealer. The loss of use of the product, loss of time, inconvenience, removal, shipping costs, commercial loss or consequential damages are not covered. Camburg Engineering reserves the right to change the design, material or specifications of any product without assuming any obligation to modify any product previously manufactured and without prior notice. Every effort has been made to avoid printing errors and specifications. By installing and/or using these products you are accepting these stated conditions and accept all liability and responsibility.