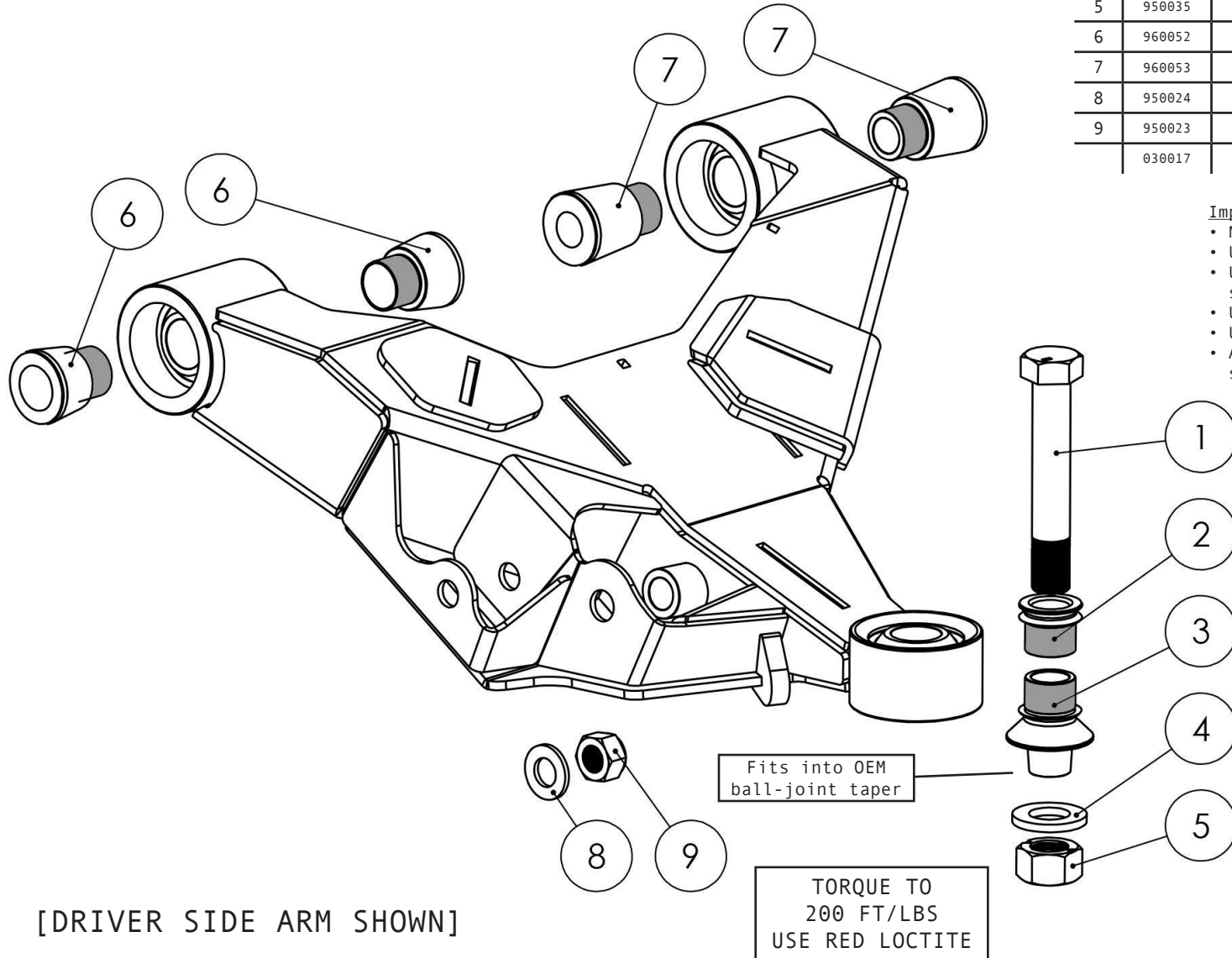




TOYOTA LANDCRUISER 200 '08-21
 PERFORMANCE LOWER ARM KIT
 PART# CAM-310165

Thanks for purchasing our performance lower arms. If you are not installing these yourself have a qualified shop do so. These arms are designed to be used with stock OEM spindles or Camburg performance spindles. Check the parts list to make sure you have every component prior to installing. Camburg Engineering has made every attempt to insure you receive the highest quality components in the most complete manner. This is a guide to help you through the process with some recommended torque specs & notes. It's your responsibility to ensure parts are being installed correctly using the correct tools and procedures. For step-by-step instructions refer to a Toyota Service manual.

ID	PART NBR	DESCRIPTION	QTY
		DRIVER SIDE LOWER ARM	1
		PASSENGER SIDE LOWER ARM	1
1	950188	3/4-16 X 3.313" GRIP HEX AIRCRAFT BOLT	2
2	960462	1.00 X 3/4" UPPER UNIBALL SPACER	2
3	960461	1.00 X 3/4" LOWER TAPERED UNIBALL SPACER	2
4	950017	3/4" SAE GRADE 8 ROUND WASHER	2
5	950035	3/4-16 CAD STOVER LOCK NUT	2
6	960052	FRONT LCA UNIBALL FRAME PIVOT SPACER (SHORT)	4
7	960053	REAR LCA UNIBALL FRAME PIVOT SPACER (LONG)	4
8	950024	M14 ZINC ROUND WASHER	2
9	950023	M14 X 1.5 ZINC NYLOC NUT	2
	030017	CAMBURG 8.5" STICKERS	4



Important Notes:

- Maximum Wheel Backspacing = 6"
- Uses existing lower coilover hardware.
- Uses OEM sway-bar hardware with additional supplied nut & washer.
- Use RED loctite on all fasteners > 1/4" dia.
- Use BLUE loctite on all fasteners < 1/4" dia.
- Apply anti-seize to uniball spacer surfaces shaded gray.

Recommended Torque Specs:

- Lower Uniball 3/4" Bolts = 200 ft/lbs.
- Lower Coilover/Strut Hardware = 140 ft/lbs.
- Lower Sway-bar Hardware = 90 ft/lbs.
- Alignment Cam Hardware = 205 ft/lbs.

Due to the extreme and punishing nature of offroad use, Camburg Engineering products have no implied or expressed warranty. Camburg Engineering products and components are designed and manufactured for offroad use only. Installing most suspension products will raise the center of gravity of the vehicle and can increase the susceptibility to a rollover and alter the handling characteristics. Camburg Engineering products may void the vehicles warranty, check with your local dealer. The loss of use of the product, loss of time, inconvenience, removal, shipping costs, commercial loss or consequential damages are not covered. Camburg Engineering reserves the right to change the design, material or specifications of any product without assuming any obligation to modify any product previously manufactured and without prior notice. Every effort has been made to avoid printing errors and specifications. By installing and/or using these products you are accepting these stated conditions and accept all liability and responsibility.

[DRIVER SIDE ARM SHOWN]

[05.11.21]