



CAMBURG FORD F-150 2WD '09-14 PERFORMANCE 4.5 SPINDLE KIT PART# CAM-110123

Thanks for purchasing our performance spindles for your Ford F-150. If you are not installing these yourself have a qualified shop do so. These spindles were designed to replace the OEM versions and work with parts associated with them. Check the parts list to make sure you have every component prior to installing. Camburg Engineering has made every attempt to insure you receive the highest quality components in the most complete manner. This is a guide to help you through the process with some recommended torque specs & notes. It's your responsibility to ensure parts are being installed correctly using the correct tools and procedures to the proper torque. For step-by-step instructions refer to a Ford Service manual.

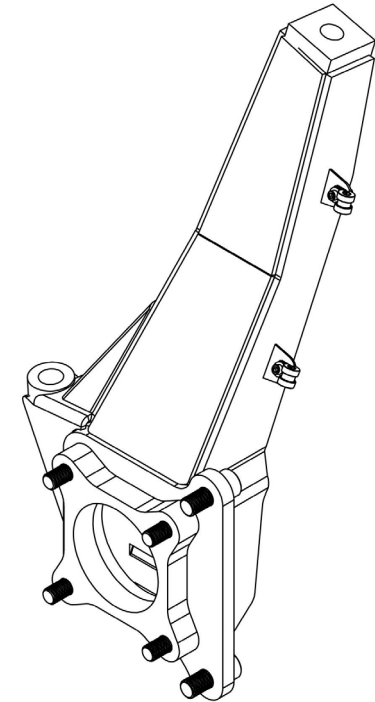
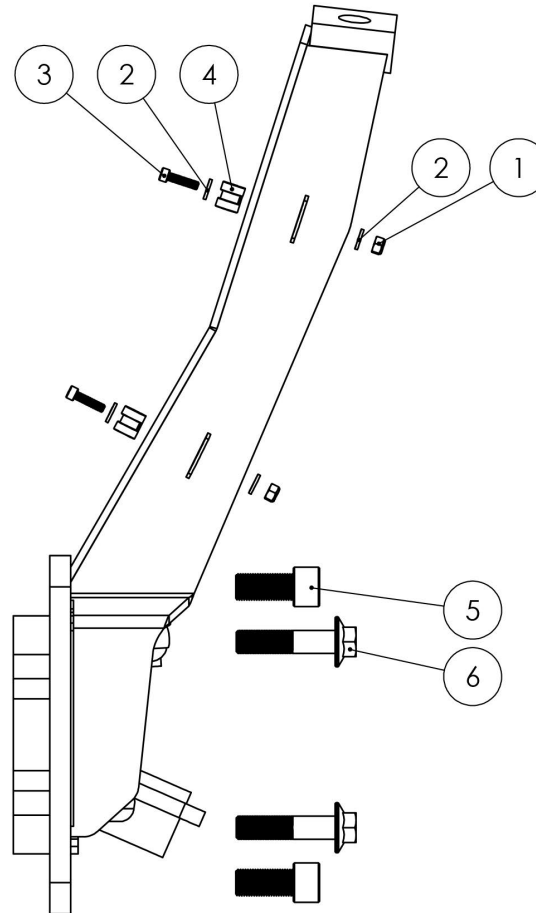
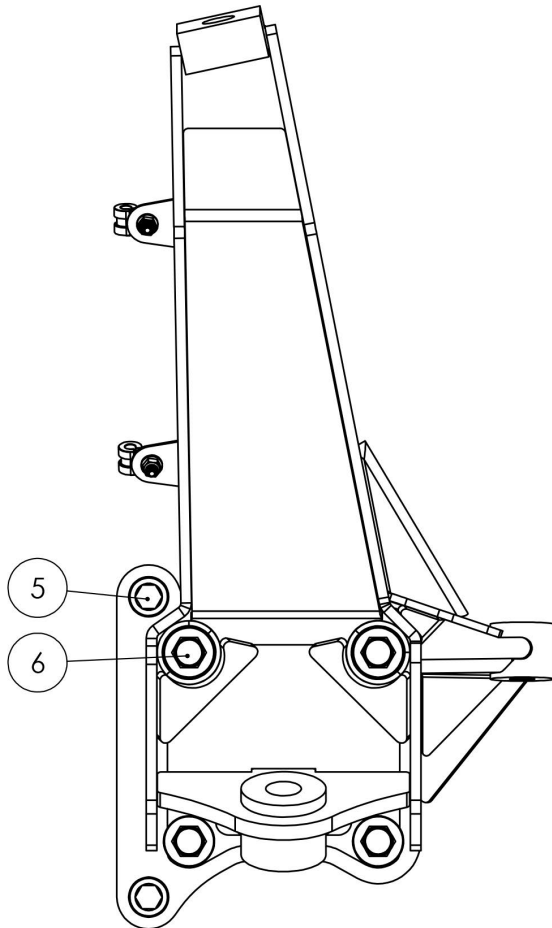
Important Notes:

- The OEM front brake rotor dust shields, brake caliper bolts and hub bolts will NOT be re-used.
- Maximum Wheel Backspacing = 5.75"
- Use RED loctite on all fasteners > 1/4" dia.
- Use BLUE loctite on all fasteners < 1/4" dia.
- Properly bleed front brakes prior to driving.
- Front end alignment is required after installation.

Recommended Torque Specs:

- Hub Unit Bolts = 150 ft/lbs.
- Brake Caliper Bolts = 160 ft/lbs.
- Ball-joint Lower Arm Nut = 115 ft/lbs.
- Outer Tie Rod Nut = 110 ft/lbs.
- Ball-joint Upper Arm Nut = 85 ft/lbs.
- Uniball Upper Arm Nut = 125 ft/lbs.

ID	PART NBR	DESCRIPTION	QTY
	110123-L	DRIVER SIDE SPINDLE	1
	110123-R	PASSENGER SIDE SPINDLE	1
6	950149	M14 X 1.50 X 60 FLANGE HEAD HEX BOLTS	8
5	950148	M16 X 1.50 X 35 SHCS BOLTS	4
	130024	STAINLESS BRAIDED FRONT BRAKE LINE KIT (24"L)	1
3	950018	10-32 X 3/4" ZINC SHCS BOLTS	4
2	950020	10-32 STAINLESS ROUND WASHERS	8
4	950026	1/4" STAINLESS RUBBER BRAKE LINE CLAMPS	4
1	950019	10-32 ZINC NYLOC NUTS	4
	030017	CAMBURG 8.5" STICKERS	4



Due to the extreme and punishing nature of offroad use, Camburg Engineering products have no implied or expressed warranty. Camburg Engineering products and components are designed and manufactured for offroad use only. Installing most suspension products will raise the center of gravity of the vehicle and can increase the susceptibility to a rollover and alter the handling characteristics. Camburg Engineering products may void the vehicles warranty, check with your local dealer. The loss of use of the product, loss of time, inconvenience, removal, shipping costs, commercial loss or consequential damages are not covered. Camburg Engineering reserves the right to change the design, material or specifications of any product without assuming any obligation to modify any product previously manufactured and without prior notice. Every effort has been made to avoid printing errors and specifications. By installing and/or using these products you are accepting these stated conditions and accept all liability and responsibility.