



CAMBURG TOYOTA TACOMA PRE/4WD '16-19 PERFORMANCE BYPASS LOWER ARM KIT

PART# CAM-310126

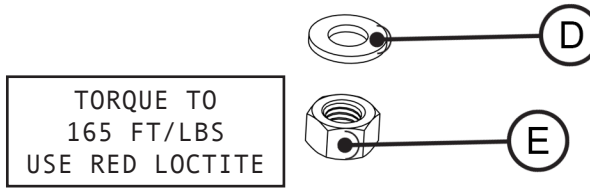
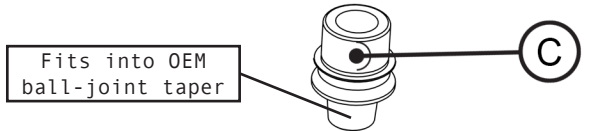
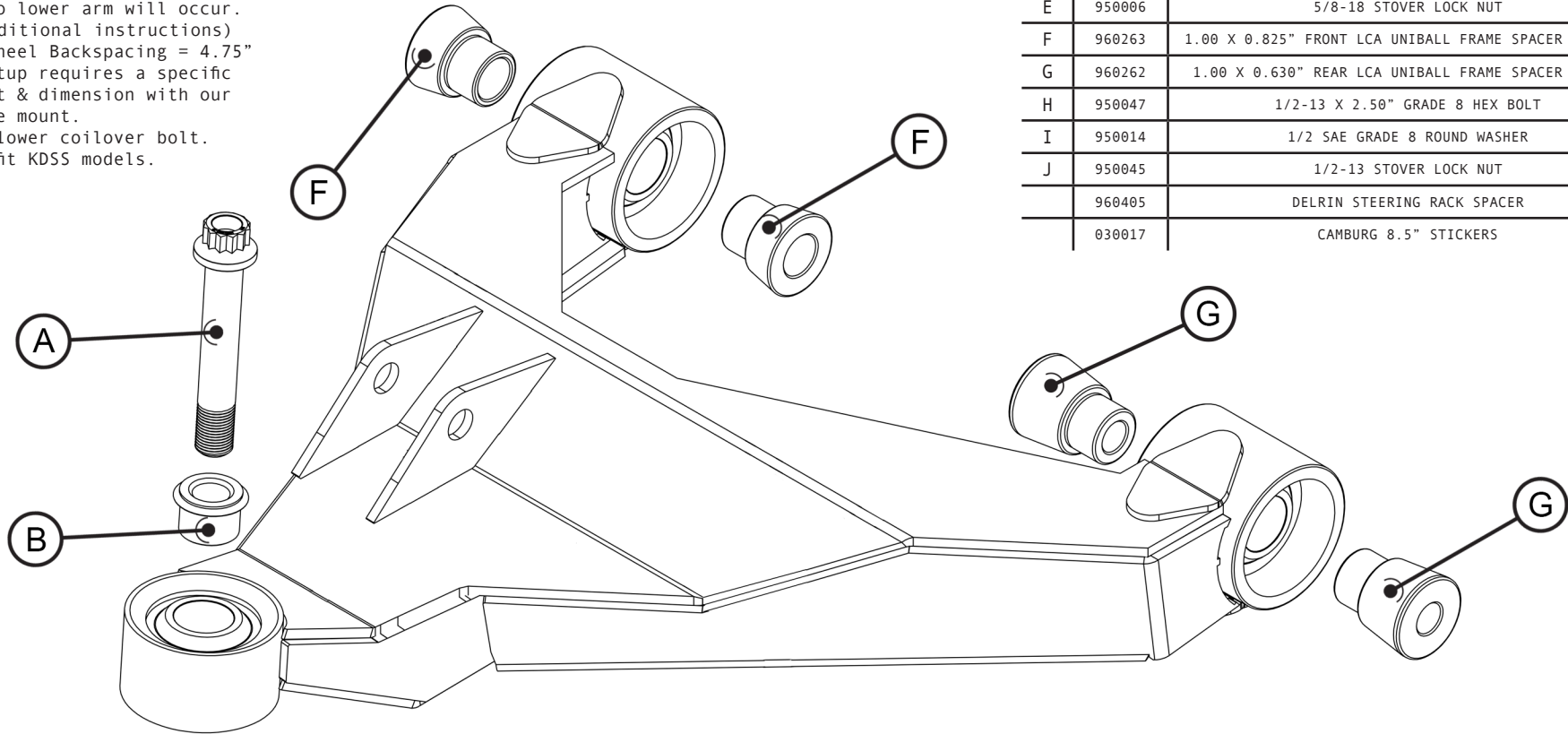
[also fits Toyota 4-Runner's '10-19 and FJ's '10-14]

Thanks for purchasing our performance lower arms. If you are not installing these yourself have a qualified shop do so. These arms are designed to be used with stock OEM spindles or Camburg performance spindles. Check the parts list to make sure you have every component prior to installing. Camburg Engineering has made every attempt to insure you receive the highest quality components in the most complete manner. This is a guide to help you through the process with some recommended torque specs & notes. It's your responsibility to ensure parts are being installed correctly using the correct tools and procedures. For step-by-step instructions refer to a Toyota Service manual.

Important Notes:

- Cut off factory steering stops and install delrin steering rack spacers or damage to lower arm will occur. (see additional instructions)
- Maximum Wheel Backspacing = 4.75"
- Bypass setup requires a specific shock layout & dimension with our bypass frame mount.
- Uses OEM lower coilover bolt.
- Does NOT fit KDSS models.

ID	PART NBR	DESCRIPTION	QTY
		DRIVER SIDE LOWER ARM	1
		PASSENGER SIDE LOWER ARM	1
A	950088	5/8-18 X 2.875" GRIP 12PT AIRCRAFT BOLT	2
B	960400	1.00 X 5/8" UPPER UNIBALL SPACER	2
C	960397	1.00 X 5/8" LOWER TAPERED UNIBALL SPACER	2
D	950016	5/8 SAE GRADE 8 ROUND WASHER	2
E	950006	5/8-18 STOVER LOCK NUT	2
F	960263	1.00 X 0.825" FRONT LCA UNIBALL FRAME SPACER (SHORT)	4
G	960262	1.00 X 0.630" REAR LCA UNIBALL FRAME SPACER (LONG)	4
H	950047	1/2-13 X 2.50" GRADE 8 HEX BOLT	2
I	950014	1/2 SAE GRADE 8 ROUND WASHER	4
J	950045	1/2-13 STOVER LOCK NUT	2
	960405	DELRIN STEERING RACK SPACER	2
	030017	CAMBURG 8.5" STICKERS	4



**TORQUE TO
165 FT/LBS
USE RED LOCTITE**

[DRIVER SIDE ARM SHOWN]

Due to the extreme and punishing nature of offroad use, Camburg Engineering products have no implied or expressed warranty. Camburg Engineering products and components are designed and manufactured for offroad use only. Installing most suspension products will raise the center of gravity of the vehicle and can increase the susceptibility to a rollover and alter the handling characteristics. Camburg Engineering products may void the vehicles warranty, check with your local dealer. The loss of use of the product, loss of time, inconvenience, removal, shipping costs, commercial loss or consequential damages are not covered. Camburg Engineering reserves the right to change the design, material or specifications of any product without assuming any obligation to modify any product previously manufactured and without prior notice. Every effort has been made to avoid printing errors and specifications. By installing and/or using these products you are accepting these stated conditions and accept all liability and responsibility.

[12.27.19]